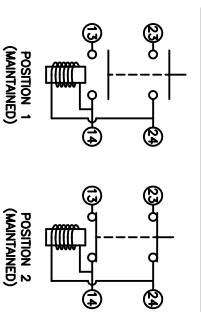
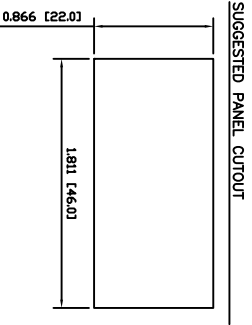
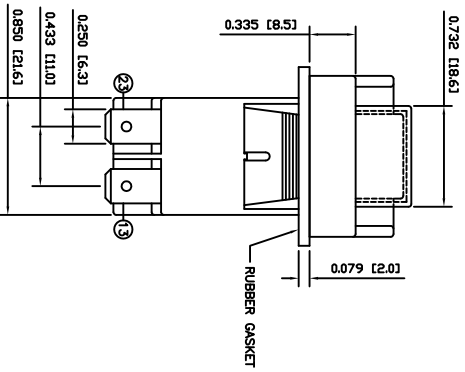
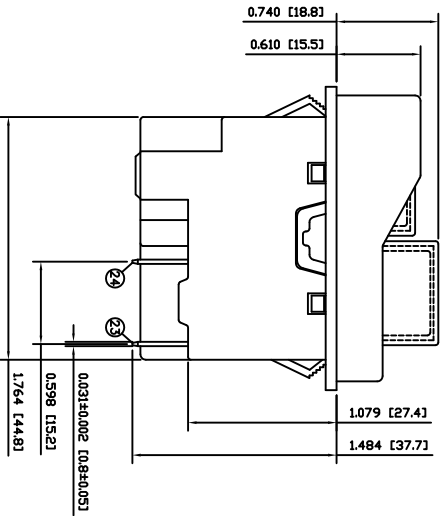


POSITION 2 POSITION 1



SCHEMATIC

SPECIFICATIONS

FUNCTION:
2P1T OFF-ON
Auto Off-Below Calibration Voltage

RATINGS:
ANSI/UL 508 and CAN/CSA C22.2 No.14 (E195908):
16A 120VAC [cUlRus]
12A 120VAC [cUlRus]
1/2HP 120VAC (9.8A FLA, 58.6A LRA) [cUlRus]

CALIBRATION VOLTAGE:
Use: 120V 60Hz
Release: 55-75V

ELECTRICAL LIFE:
6,000 Cycles [cUlRus]

INGRESS PROTECTION:
IP55

APPROVALS:
ROHS
COMPLIANT

COLORS AND MARKINGS

BEZEL:
Black

ACTUATOR:
ON: Green
OFF: Red

MARKING:
I/O Horizontal (2)

MARKING COLOR:
White

MATERIALS

UPPER BODY:
Polyamide 6/6 (PA66)

LOWER BODY:
Polyamide 6/6 (PA66+G10)

BEZEL:
Polyamide 6/6 (PA66+G10)

ACTUATORS:
Polyamide 6/6 (PA66)

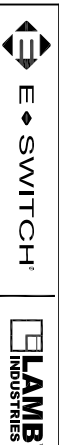
MOUNTING EARS:
Polyamide 6/6 (PA66)

COVER:
Polyvinyl Chloride (PVC)

CONTACTS:
Silver Alloy Clad Copper (AgSnO/Cu)

TERMINALS:
Brass

GASKET:
Rubber



KJD17-21223-112

DIMENSIONS

INCHES [MILLIMETERS]

GENERAL TOLERANCES
±0.020 [±0.5] / ±.1"

SCALE
DRAWING NOT TO SCALE

PROJECTION
DRAWING NUMBER: 34-KJD1721223112

REV.	DATE	BY	APP.	DESCRIPTION
A	09/08/07	CAB		INITIAL RELEASE
A	09/08/07	CAB		21603 10/7/14
A	09/08/07	CAB		21603 10/7/14
A	09/08/07	CAB		21603 10/7/14

THE INFORMATION CONTAINED IN THIS DOCUMENT IS PROPRIETARY TO E-SWITCH AND IS NOT TO BE COPIED OR TRANSMITTED IN ANY FORM OR BY ANY MEANS, ELECTRONIC OR MECHANICAL, INCLUDING PHOTOCOPYING, RECORDING, OR BY ANY INFORMATION STORAGE AND RETRIEVAL SYSTEM.

1	2	3	4	5	6	7	8
---	---	---	---	---	---	---	---